

Apollo-155

Long Range Lantern Adjustable from 4-12nm+

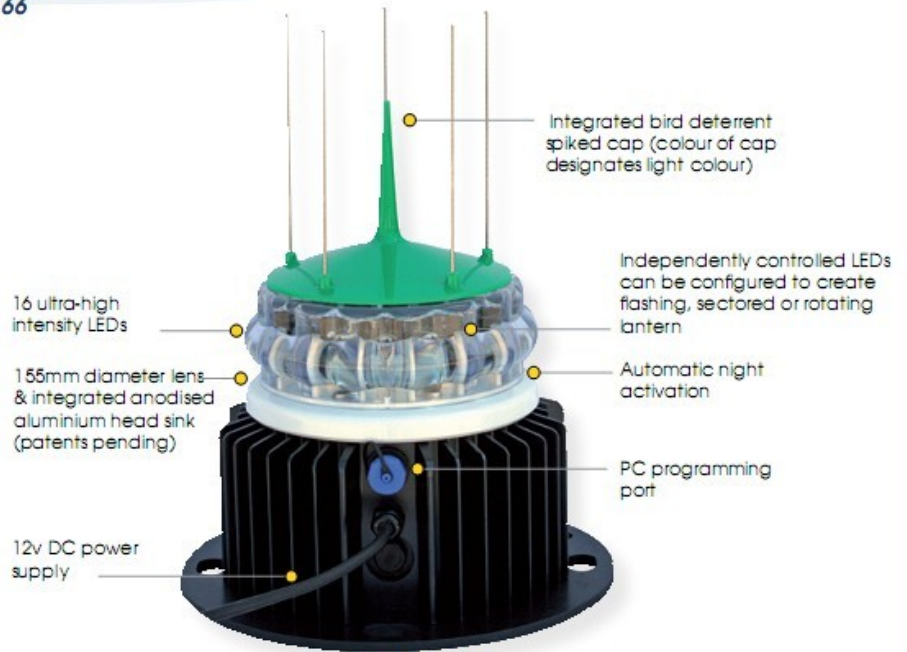
This equipment complies with requirements of the U.S. Coast Guard in 33 CFR part 66



Revolutionising the industry



Sealite's Apollo-155 is the only single tier lantern able to be sectored accurately in multi-colours



APOLLO-155.G

The Sealite Advantage

- The most efficient light in the industry - 5 degree vertical divergence, 22watt, 2100cd (white)
- Range adjustable in excess of 12nm
- 155mm lens
- Independent control of individual LEDs
- The only single tier lantern able to be sectored accurately using multi-colours (patents pending)
- The only LED lantern able to operate as a rotating beacon
- Complete continuous diagnostic checking of each LED
- PC interface for setup, diagnostics & testing
- On-board data communications, GPS, GSM, RF & AIS-ready
- Advanced thermal management
- IP68 waterproof



The Apollo-155 is the next generation in marine aids to navigation.

Sealite's latest innovation, the Apollo-155 long range lantern adjustable from 4-12nm+ is designed to suit a range of applications including channel, river and estuary marking.

To utilise latest technology, Sealite has designed a lantern using 16 of the world's most advanced LEDs. These highly efficient LEDs can be configured individually with multiple flash codes in the same array.

The Apollo-155 incorporates a sophisticated thermal management system. Sealite in-house engineers custom designed this complex aluminium extrusion which is used as a heat sink for the 16 ultra-high intensity LEDs and LED driver board.

Extensive use of copper and aluminium within the circuitry permits the effective transfer of heat to the external extrusion allowing driving currents of up to 48watts with corresponding exceptional light output.

The distinct lens of the Apollo-155, also developed in-house by Sealite engineers, has 32 optical elements controlling the light emissions from the LED in a two-dimensional manner; completely unique to the industry. The 16x LEDs in each lens individually cover 45° horizontally and either 5° (as standard), or 2.5° or 10° vertically.

The lens and LED holder can be factory set to sector different LEDs to 1° increments. For example, 183° RED, 42° WHITE and 15° RED all in the one tier. This provides complete flexibility to suit most installation requirements.

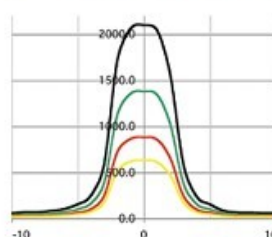
Like all Sealite marine lanterns the Apollo-155 has a specifically designed circuit board that controls automatic dusk till dawn operation, LED operation and many functions that can be specifically requested, such as current monitoring.

PC Interface

Sealite's PC interface allows a host of features to be loaded onto the lantern, including automatic effective intensity calculations, adjustable on/off LUX levels and custom flash codes.

Users can choose between Schmidt-Clausen, Allard, Blondel-Rey-Douglas, and Allard-Ohno-Couzil (100 pulse) effective intensity settings.

Apollo-155 Vertical Divergence



Candela (cd)

APOLLO-155

R	880
G	1380
W	2100
Y	630

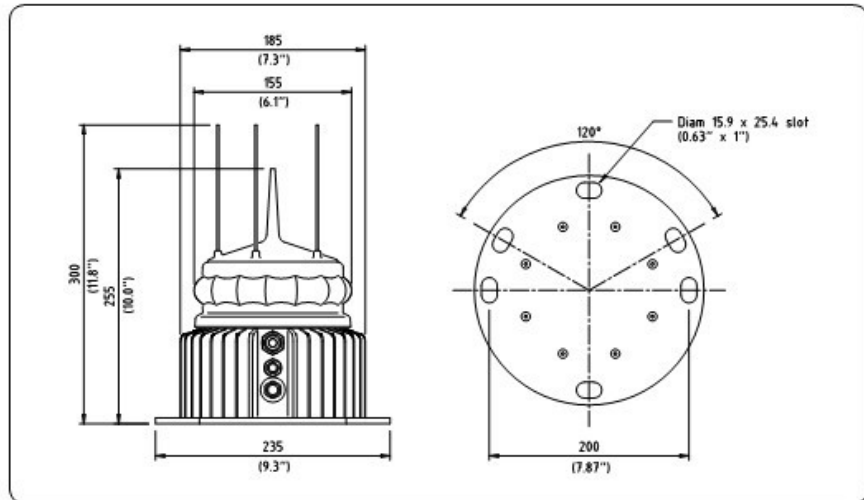
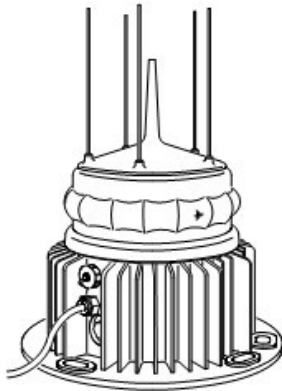
* Available intensity at 25watts (cd)

ERC Marine Denizcilik ve Yat Malzemeleri-Bursa

www.ercmarine.com / teknik@ercmarine.com

Apollo-155

Long Range Lantern Adjustable from 4-12nm+



SPECIFICATIONS •



Light Characteristics

Light Source
Available Colours
Available Intensity at 28watts (cd) Δ Δ
Visible Range (nm)
Horizontal Output (degrees)
Vertical Divergence (degrees)
Available Flash Characteristics
Intensity Adjustments
LED Life Expectancy (hours)

16 ultra bright 3watt CREE LEDs
Red, Green, White, Yellow, Blue
Red - 880 Green - 1380 White - 2100 Yellow - 630
4-12+
1° - 360°
5 (as standard)
Up to 256 IALA recommended (PC programmed)
32 levels (PC programmed)
>100,000

Electrical Characteristics

Current Draw (mA)
Circuit Protection
Nominal Voltage (v)
Temperature Range

Refer to Sealite Power Calculator
Polarity protected
12v DC only
-40 to 80°C

Physical Characteristics

Body Material
Lens Material
Lens Diameter (mm/inches)
Lens Design
Mounting
Height (mm/inches)
Width (mm/inches)
Mass (kg/lbs)
Product Life Expectancy

Anodised 6060 Series Aluminium
LEXAN® Polycarbonate - UV-stabilised
155 / 6 1/8
Sealite 16 segment, multi-focus LED lens (patents pending)
3 & 4 hole bolt pattern on 200mm OD base
300 / 11 7/8
235 / 9 1/8
3.8 / 8 3/8
Up to 12 years

Certifications

CE
Quality Assurance
Waterproof

M091133
ISO9001:2000
IP68

Intellectual Property

Patents
Trademarks

Australian Provisional Patent 1004289015
SEALITE® is a registered trademark of Sealite Pty Ltd

Warranty*

Full 3 years

Options Available

- Rotating beacon
- Sectorised light
- Wreck marking light
- 2.5 or 10 degree lens

• Specifications subject to change or variation without notice

• Subject to standard terms and conditions

Δ Higher outputs at increased current draw

Δ Intensity setting subject to solar availability

CE

To experience the new Apollo-155,
please contact a Sealite representative today

ERC Marine Denizcilik ve Yat Malzemeleri-Bursa

www.ercmarine.com / teknik@ercmarine.com